

# FLOS

■ F6380030 Black

## Snoopy

Designed by Achille and Pier Giacomo Castiglioni, 1967



Halogen - 100W

Table lamp giving direct light with enamelled metal reflector and white Carrara's marble base. It was designed by Achille e Pier Giacomo Castiglioni in 1967.

Are you a professional and your project needs consulting and support?

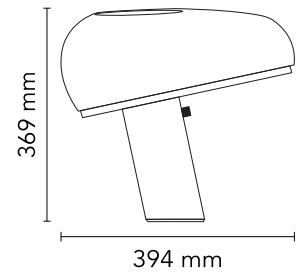
[BOOK AN APPOINTMENT](#)

### Main specifications


Mounting	Table
Environments	Indoor dry location
Light source type	Bulb
Light sources included	No
Lamp category	Halogen
Lamp holders	E27
Ilcos	HSGS
Number of lamps	1
Power (W)	100

### Physical

Colour	Black
Length (mm)	394
Cord colour	Black
Net weight (kg)	7.99
Package volume (m3)	0.1
IP internal	20



### Download

[Mounting instructions](#)  PDF

[Spare Parts](#)  SVG

### Photometric Files

[LDT / IES](#)  LDT

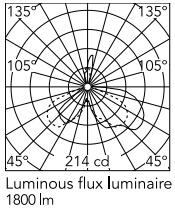
### Technical Drawings

[2D](#)  ZIP

[3D](#)  ZIP



## Schematic light drawing



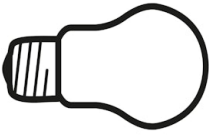
### Photometric

Lighting type	Direct, Indirect
Light distribution	Asymmetric
Extreme cut off	No

### Electrical

Insulation class	II
Frequency (Hz)	50/60
Main voltage (Vac)	220-240
Dimmable	Yes
Dimming interface	Dimmer Integrated
Plug type	Type C
Batteries inside	No

## Bulbs



NOT INCLUDED

RF25317

LED Opal Lamp E27 8W 3000K  
A60 Dimmable

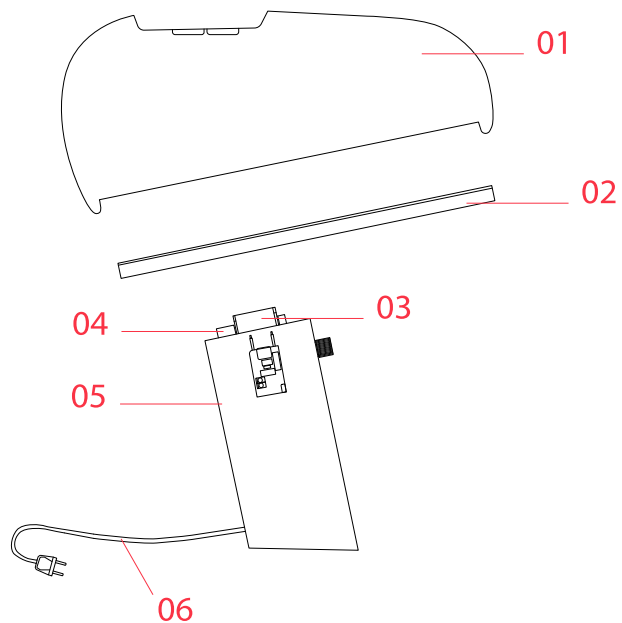


NOT INCLUDED

RF25323

LED Opal Lamp E27 8W 2700K  
A60 Dimmable

## Spare Parts



- |     |  |         |
|-----|--|---------|
| 01. | Snoopy Black reflector                     | RF80966 |
| 02. | Snoopy glass diffuser                      | RF84656 |
| 03. | Snoopy E27 lamp holder                     | RF11912 |
| 04. | Ring nut                                   | RF11919 |
| 05. | Snoopy electronic touch dimmer<br>new type | RF36804 |
| 06. | Snoopy electrical assembly new<br>type     | RF10152 |

**DOWNLOAD**



RF80966

Snoopy Black reflector



RF84656

Snoopy glass diffuser



RF11912

Snoopy E27 lamp holder



RF11919

Ring nut



RF36804

Snoopy electronic touch dimmer  
new type



RF10152

Snoopy electrical assembly new  
type