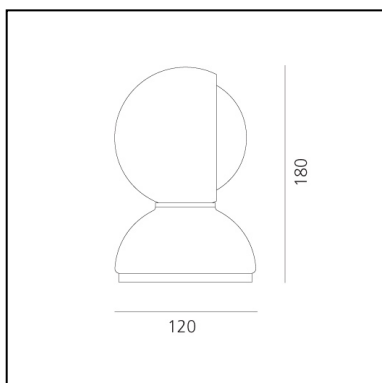


Eclisse - Blanc

Vico Magistretti



IP20   EAC  



LUMINAIRE

- Watt: **25W**
- Tension: **220V-240V**
- Flux Lumineux (lm): **170lm**
- CCT: **2800K**

DESCRIPTION

Eclisse, designed by Vico Magistretti in 1965, won the Compasso d'Oro Award in 1967 and became an ambassador of Italian design worldwide. Eclisse is an avant-garde balance between form and function, design and utility. The concept's foundation lies in its functionality of adjusting the intensity of light through its rotating inner shade that "eclipses" the light source. In fact, with a fixed outer shell and a moveable inner shell the lamp can provide direct or diffuse light.

A table lamp, it can also be wall mounted. Painted metal body available in white, red, orange or yellow and PVD version, made with an innovative and sustainable process of metal vacuum deposition ("sputtering"), available in black, brass, copper or mirror.

From the point of view of environmental-friendliness, "sputtering" is the absolutely cleanest coating technology for the type of metal used and because all emissions are abated, in particular those into the atmosphere of sulphuric acid and cyanides produced by galvanic processes.

Solid paint with up to 5% of solvents (compared to 75% of traditional products) is employed for the successive protective clear-coat phase.

The process generates very little waste and the resulting finish is particularly resistant over time.

Eclisse is part of the permanent collection of the most important design Museums, amongst many the MoMa in New York and the Triennale Design Museum in Milan.

CODE PRODUIT: 0028010A

CARACTÉRISTIQUES

- Code Article : **0028010A**
- Couleur: **Blanc**
- Installation: **AppliqueTable**
- Matériaux: **steel, technopolymer**
- Séries: **Design Collection, Modern Classic**
- Environnement: **Indoor**
- Type de projet: **Résidentiels**
- Emission: **Diffuse & directe**
- dessiné par: **Vico Magistretti**

DIMENSIONS

- Hauteur: **cm 18**
- Diamètre: **cm 12**
- Diamètre de la base: **cm 12**
- Résistance à l'impact: **N/D**
- Test au fil incandescent: **850°**

SOURCE NON INCLUDE

- Catégorie: **HALO**
- Nombre: **1**
- Watt: **25W**
- Culot: **E14**
- Classe: **A**

SOURCES ALTERNATIVES

- Catégorie: **LED RETROFIT**
- Nombre: **1**
- Watt: **4W**
- Culot: **E14**