

FLOS

F3694056 Polished Inox

Last Order Fluted

Designed by Michael Anastassiades, 2020

2.5W - 87lm - 2700K - CRI> 90



Flos Last Order table lamp was designed by M. Anastassiades. It is a rechargeable table lamp that diffuses light through a transparent solid crystal base whose shape makes reference to architectural typology of the ancient column. The top cover comes in a combination of different metal and colour finishes: stainless steel, brass, satin copper or green opal coating.

Are you a professional and your project needs consulting and support?

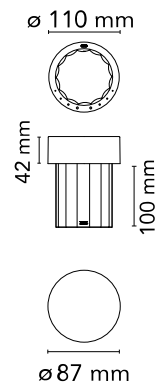
[BOOK AN APPOINTMENT](#)

Main specifications

EAN	8059607030516
Mounting	Table
Environments	Indoor Outdoor wet location
Light Source Type	LED
LED type	LED Module
Power (W)	2.5
System flux (lm)	87

Physical

Colour	Polished Inox
Net weight (kg)	2.04
Package volume (m3)	0.01
IP internal	55



Download

[Mounting instructions](#) PDF

[Spare Parts](#) PDF

Photometric Files

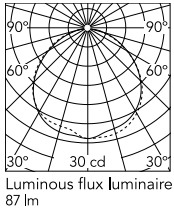
[LDT / IES](#) LDT

Technical Drawings

[3D](#) ZIP



Schematic light drawing



Photometric

Lighting type	Direct
Light distribution	Roto symmetric
CCT (K)	2700
CRI>	90

Electrical

Insulation class	III
Frequency (Hz)	50/60
Main voltage (Vac)	100-240/5
Driver	Remote included
Dimmable	Yes
Dimming type	Electronic 5V
Dimming interface	Dimmer Integrated
Plug type	Type G, Type A, Type C
Batteries inside	Yes
Battery type	LI-PO
Charging socket/connector	USB-C

Ecodesign and Energy Labelling

This product contains a light source of energy efficiency class F

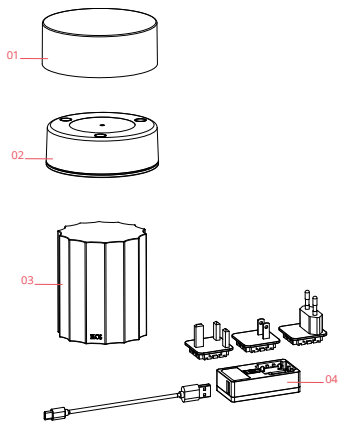


Replaceable (LED only)
light source by a
professional



Replaceable control
gear by an end-user

Spare Parts



- | | | |
|-----|---|-----------|
| 03. | Crystal fluted base | RF29125 |
| 04. | Power charger with electrical cable & plugs | RF1035109 |

DOWNLOAD



RF29125

Crystal fluted base



RF1035109

Power charger with electrical
cable & plugs