



Description

The timeless Muffins collection represents an extraordinary lighting experience. Since its market debut, it has taken on an iconic status and become a symbol of the Brokis brand. The sublimity of the design lies in the masterful combination of delicately contoured glass and solid wood.



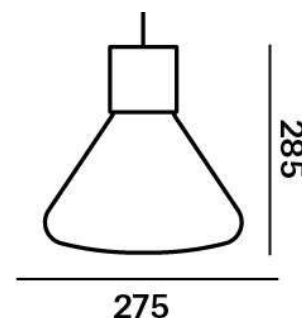
Tech. description The lamp consists of a solid wooden base, which houses the bulb socket, and a glass shade.

Colours options: https://brokis.sharepoint.com/:b:/s/brokis_sp/EU6sx8SHJ4FPPrDPY-MvvH8cBUJYsK81EbQdy6iGEReJ8O

CONSTRUCTION SPECIFICATION

Weight:	2.5 kg
Construction material:	glass, wood, metal
Cord length [mm]:	2,900 mm
Mounting:	Ceiling
Environment:	Indoor

DIMENSIONS [mm]



ELECTRICAL SPECIFICATION

Input voltage [V]:	230 V
Frequency [Hz]:	50-60 Hz
Max. power [W]:	40 W
Coverage IP:	20
Socket:	E14
Light source:	-
Energy class:	A+ to E depending on light source

CERTIFICATIONS



DATASHEET

RECOMMENDED BULBS



Download



CM5563

Socket	E14
Type	LED filament
Lamp wattage [W]	4,7 W
Input voltage [V]	220 - 240 VAC
Energy class	A+
Flux [lm]	280 lm
Light colour [K]	2200 K
CRI	90+
Lifespan [h]	20000h
Dimmable	yes
Dimensions h x w [mm]	100 x 45 mm



BROKIS®

BROKIS S.R.O.
ŠPANIĚLOVA 1315/25
163 00 PRAHA 6 - ŘEPY
CZECH REPUBLIC

ORG ID 64940799
VAT ID CZ64940799
C 42174 MĚSTSKÝ SOUD
V PRAZE

TEL +420 567 211 517
TECHNICAL@BROKIS.CZ
INFO@BROKIS.CZ
WWW.BROKIS.CZ

2020_08
PAGE 2

DATASHEET

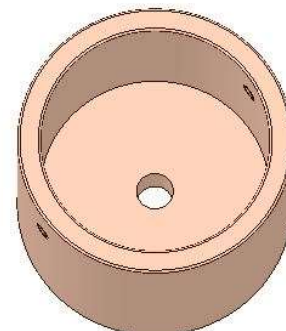
RECOMENDED CANOPY



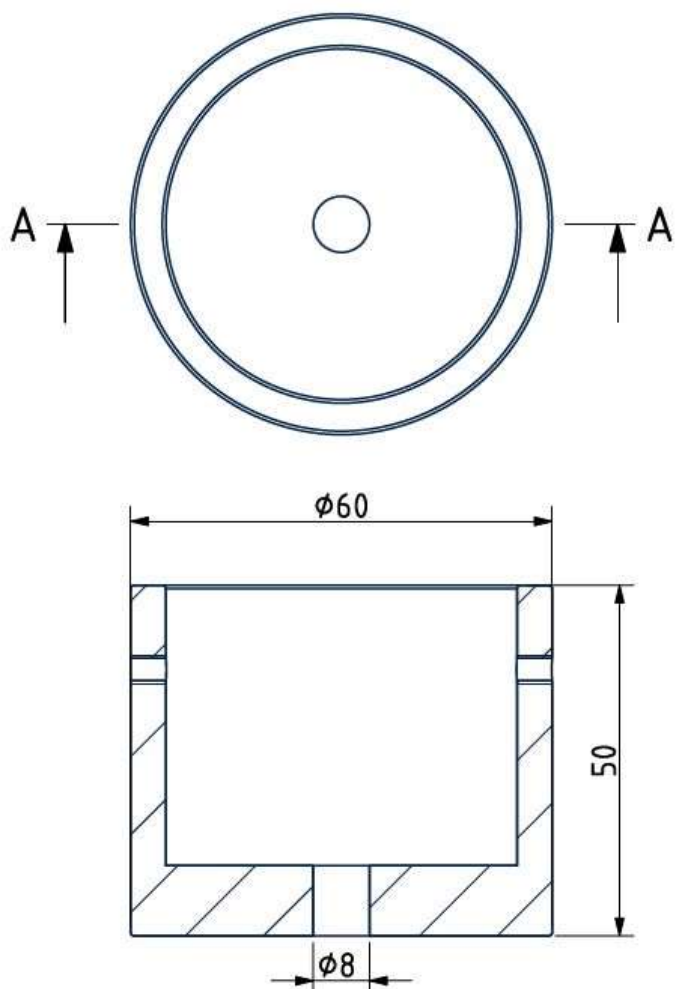
Download

CEILING CANOPY

Dimensions O x w [mm] 60 x 55 mm
Weight [kg] 0,15 kg
Material wood



Drawing



Canopy bracket

