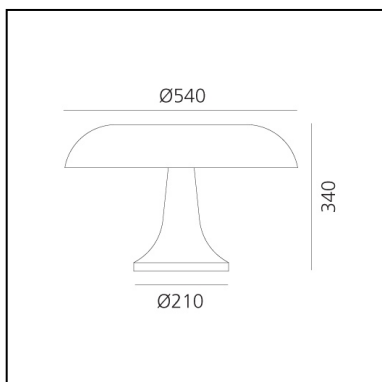


Nesso Orange

Giancarlo Mattioli
Gruppo Architetti Urbanisti
Città Nuova



IP20     



LUMINAIRE

- Watt: **80W**
- Tension: **220V-240V**

DESCRIPTION

Designed by Giancarlo Mattioli and Gruppo Architetti Urbanisti Città Nuova, in the glamorous 60's era, Nesso is an international icon of futuristic, democratic design. Part of the "Modern Classics" reissued line, it was a marvel of ABS thermoplastic injection-molding when first introduced in 1967 thus bringing industrial materials and methods to the home and office environments. A dash of color and a design inspired from nature, Nesso stems from the visionary identity of Artemide. Its' iconic curves wind into a true collectible, an expressive statement piece of internationally acclaimed calibre and fame. An iconic piece having staged its presence in various landmarks, Nesso is considered a valuable piece of art. An "icon" of design, part of the permanent collections of The Metropolitan Museum of Art and The Museum of Modern Art.

CODE PRODUIT: 0056050A

CARACTÉRISTIQUES

- Code Article : **0056050A**
- Couleur: **Orange**
- Installation: **Table**
- Matériaux: **ABS**
- Séries: **Design Collection, Modern Classic**
- Environnement: **Indoor**
- Emission: **Diffuse Et Directe**
- dessiné par: **Giancarlo Mattioli, Gruppo Architetti Urbanisti Città Nuova**

DIMENSIONS

- Hauteur: **cm 34**
- Diamètre: **cm 54**
- Diamètre de la base: **cm 21**
- Résistance à l'impact: **N/D**
- Test au fil incandescent: **850°C**

SOURCE NON INCLUSE

- Catégorie: **HALO**
- Nombre: **4**
- Watt: **20W**
- Culot: **E14**
- Classe: **A**

SOURCES ALTERNATIVES

- Catégorie: **LED RETROFIT**
- Nombre: **4**
- Watt: **2W**
- Culot: **E14**