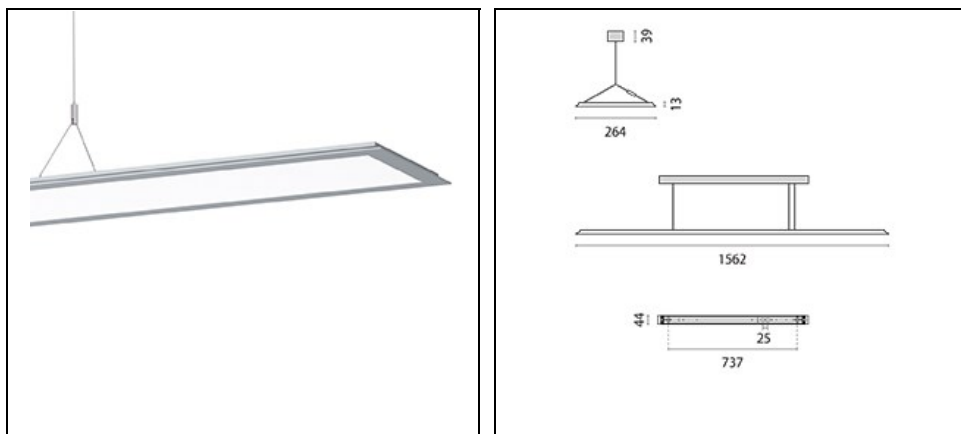


SL713+ PL MP S/C

Part number 3111529



Description

Suspended, LED luminaire for indoor, comprising:

- Extruded aluminium housing profile, powder-coated
- Micro-prismatic diffuser for efficient light distribution, glare reduction and high uniformity (MP)
- LED Sidelight-Technology for a homogenous light distribution over the entire area of the cover
- Light engine can be replaced by means of a slide-in mechanism
- Direct / indirect light distribution
- VDU application suitable acc. to EN 12464-1
- Colour tolerance according to MacAdam ≤ 3 SDCM
- Complete with steel suspension cable (1.5 m), transparent power cord and canopy
- Special colour versions available. Consult factory

To maintain the regular updating of our products, PERFORMANCE IN LIGHTING reserves the right to make changes without prior notice. For the most up to date information we always recommend you read the latest version published on the website www.performanceinlighting.com. Delivered luminaire lumen outputs and power consumptions, including losses, are subject to a tolerance of +/- 7%, and unless otherwise stated the values apply to an ambient temperature of 25°C. Terms of warranty are available at www.performanceinlighting.com/qr/qrc/company/terms-and-conditions

Product data

ETIM Group:	EG000027	ETIM Class:	EC001743
-------------	----------	-------------	----------

General information

Lampholder:	LED	Light source:	LED
Lightsource lumen output [lm]:	10450	Luminaire lumen output [lm]:	8950
Luminaire wattage [W]:	69 W	Luminous efficacy [lm/W]:	130
CRI:	80	Kelvin:	3000
Colour / Finish:	GR-RAL9006 / Grey RAL9006 / Textured	IP degree of protection:	IP20
IK-J-xxIP:	IK05 0.70J xx3	Insulation class:	I
Optic:	SYMMETRIC DIRECT-INDIRECT	Beam angle:	2 x 41°/41°
Net weight [kg]:	5.537		

Mechanical features

Shape:	RECTANGULAR	Housing material:	ALUMINIUM
Glow wire test [°C]:	650 °C		

Electrical features

Voltage type:	AC	Power factor / COS Φ :	0.9
EEL:	A2		

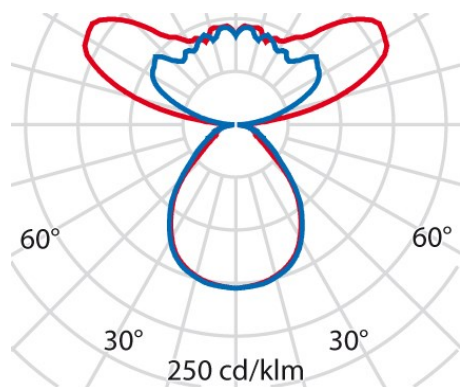
Installation

Application area:	Indoor	Mounting type:	Suspended
Min. ambient temperature [°C]:	10	Max. ambient temperature [°C]:	40

Light features

MacAdam:	3	Lumen maintenance:	L80B10@50000h
Distribution of light emission:	Direct/ Indirect	DFF - Downward Flux Fraction [%]:	36
UFF - Upward Flux Fraction [%]:	64	UGR max.:	13.0

Photometric data



To maintain the regular updating of our products, PERFORMANCE IN LIGHTING reserves the right to make changes without prior notice. For the most up to date information we always recommend you read the latest version published on the website www.performanceinlighting.com. Delivered luminaire lumen outputs and power consumptions, including losses, are subject to a tolerance of +/- 7%, and unless otherwise stated the values apply to an ambient temperature of 25°C. Terms of warranty are available at www.performanceinlighting.com/qr/qr/company/terms-and-conditions