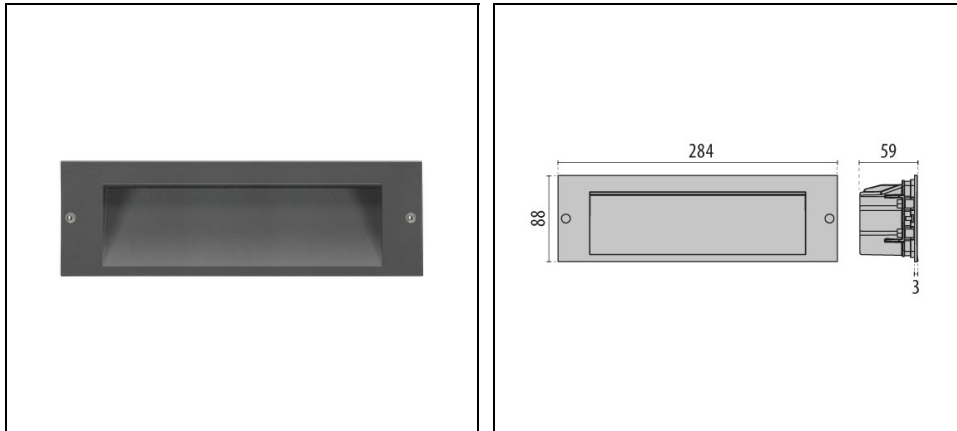


INSERT+ 2

Part number 304124



Description

Wall recessed luminaire, for indoor and outdoor, comprising:

- Die-cast aluminium housing, polyester powder coat finish ISO 9227/12944 - ISO 9223 (C5)
- Inner satin toughened flat glass diffuser
- EPDM sealing gasket
- IP-rated external socket-plug fast connector (QUICK), complete with factory pre-wired cable
- Electrical connector for cables $\varnothing 7 - \varnothing 12$ mm
- Stainless steel locking hardware
- Recessed box to be ordered separately
- The recessed box removable cover features two integral spirit levels for installation ease
- IP-rated through wiring connectors for cables $\varnothing 7 - \varnothing 10,5$ mm and $\varnothing 14 - \varnothing 17$ mm available as accessories (INSERT+ 2 models)

To maintain the regular updating of our products, PERFORMANCE iN LIGHTING reserves the right to make changes without prior notice. For the most up to date information we always recommend you read the latest version published on the website www.performanceinlighting.com. Delivered luminaire lumen outputs and power consumptions, including losses, are subject to a tolerance of +/- 7%, and unless otherwise stated the values apply to an ambient temperature of 25°C. Terms of warranty are available at <https://www.performanceinlighting.com/qr/company/led-warranty>

Product data

ETIM Group:	EG000027	ETIM Class:	EC002892
-------------	----------	-------------	----------

General information

Lampholder:	LED	Light source:	LED
Lightsource lumen output [lm]:	1350	Luminaire lumen output [lm]:	503
Luminaire wattage [W]:	10 W	Luminous efficacy [lm/W]:	50
CRI:	80	Colour temperature [K]:	3000
Colour / Finishing:	AN-g6 / Anthracite gray / Textured	IP degree of protection:	IP65
Impact resistance / impact energy:	IK07 2J xx5	Protection class:	I
Optic:	A25/W - Asymmetric Wide	Net weight [kg]:	0.726
Overall length [mm]:	284	Overall width [mm]:	59
Overall height [mm]:	88		

Mechanical features

Shape:	Rectangular	Housing material:	Aluminium
Diffuser material:	Glass	Glow wire test [°C]:	650 °C

Electrical features

Voltage type:	AC	Input voltage [V AC]:	220/240
Input frequency [Hz]:	50/60	Power factor / COS Φ :	>0.9
Inrush current [A/ μ s]:	5 / 50	C10 1.5 mm ² :	52
C16 2.5 mm ² :	85	B10 1.5 mm ² :	31
B16 2.5 mm ² :	50		

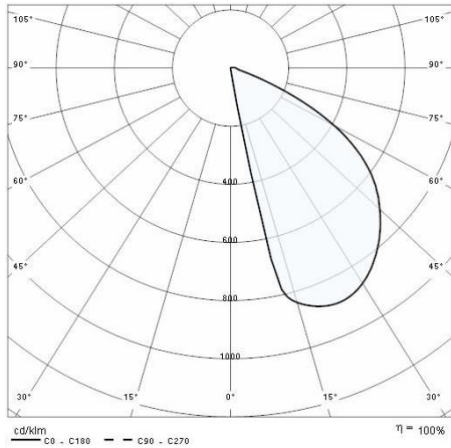
Installation

Application area:	Outdoor lighting	Min. ambient temperature [°C]:	-20
Max. ambient temperature [°C]:	35		

Light features

MacAdam:	3	Lumen maintenance:	L80B10@60000h
Distribution of light emission:	Direct		

Photometric data



Mandatory accessories

INSERT+ 2

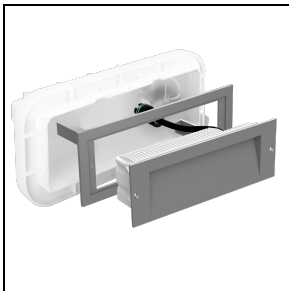


310490

Recessed box Insert + 2

Optional accessories

INSERT+ 2



310489

Adaptor NSERT+ 2 (retrofit kit Insert 2)

■ AN-g6 / Anthracite gray



310495

Connection Kit Y 3-way Ø 14-17 mm
IP68



310496

Connection Kit Y 3-way Ø 7-10,5 mm
IP68

To maintain the regular updating of our products, PERFORMANCE iN LIGHTING reserves the right to make changes without prior notice. For the most up to date information we always recommend you read the latest version published on the website www.performanceinlighting.com. Delivered luminaire lumen outputs and power consumptions, including losses, are subject to a tolerance of +/- 7%, and unless otherwise stated the values apply to an ambient temperature of 25°C. Terms of warranty are available at <https://www.performanceinlighting.com/qr/company/led-warranty>